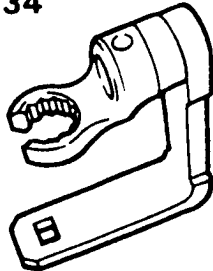
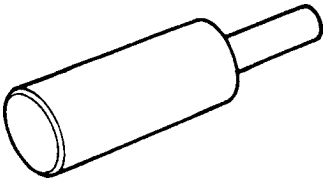
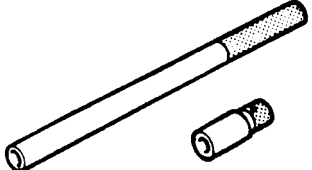
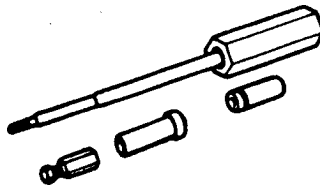
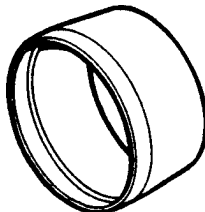
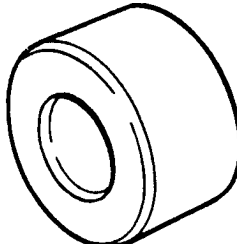
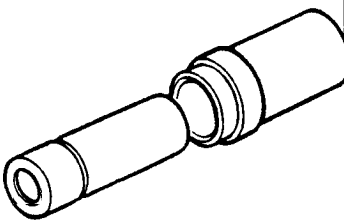
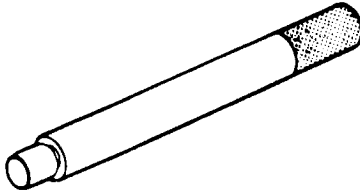
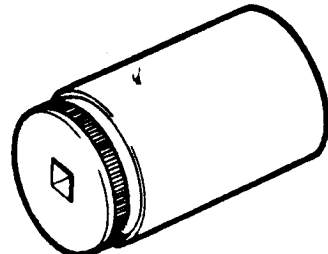
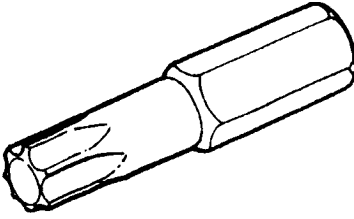
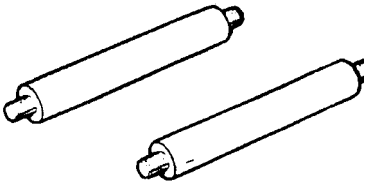
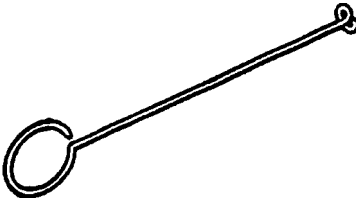
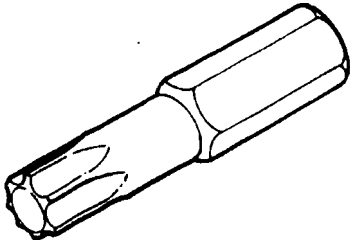
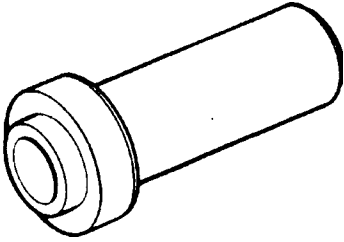
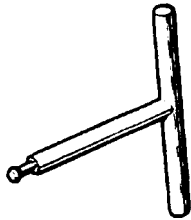
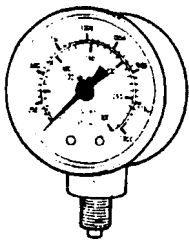
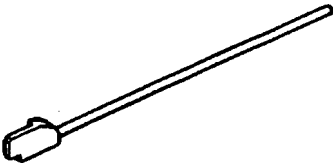
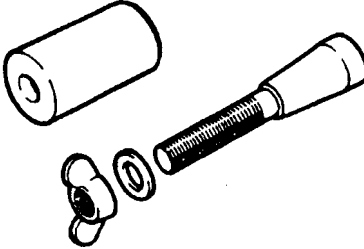
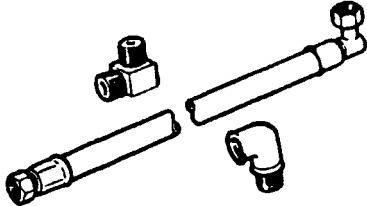
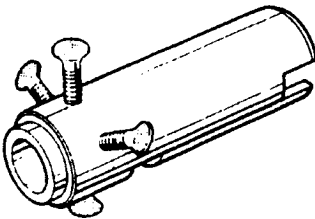
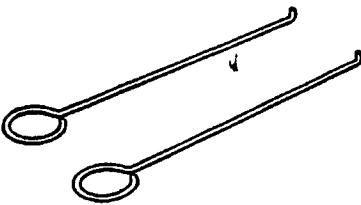
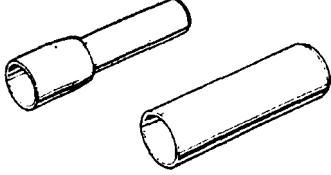
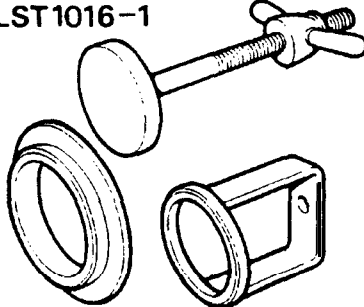
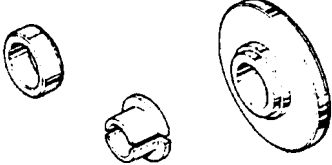
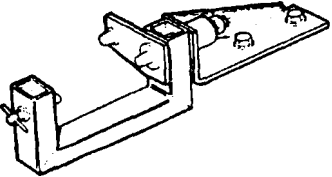
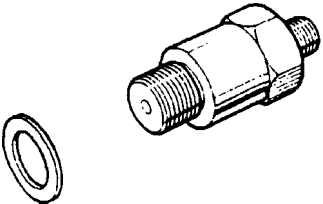


ENGINE

<p>LST134</p> 		<p>R0600959</p> 
<p>Torque Adaptor Lambda sensor</p>		<p>Drift for valve guide replacement (intake and exhaust)</p>
		<p>R0605351</p> 
		<p>Connecting rod bolt-guide tool</p>
<p>18G1150</p> 	<p>R01014</p> 	<p>R0605774A</p> 
<p>Remover/replacer piston pin, basic tool</p>	<p>Rear crankshaft oil seal protection sleeve</p>	<p>Distance piece for valve guide</p>
<p>18G1150E</p> 	<p>R0274401</p> 	<p>18G587</p> 
<p>Adaptor-remover/replacer piston pin</p>	<p>Drift for valve guide removal (intake and exhaust)</p>	<p>Socket- piston pin remover/replacer</p>

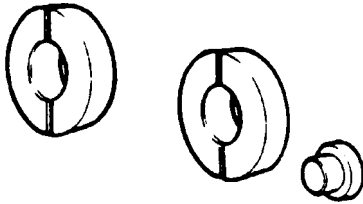
AUTOMATIC GEARBOX

<p>TX27</p> 	<p>18G1501</p> 	<p>LST112</p> 
<p>Torx bit</p>	<p>Torque converter removing handles</p>	<p>Kick down cable remover</p>
<p>TX30</p> 	<p>LST108</p> 	<p>LST113</p> 
<p>Torx bit</p>	<p>Replacer-front and rear oil seals</p>	<p>Control unit inlet oil seal replacer</p>
<p>18G 502A</p> 	<p>LST109</p> 	<p>LST114</p> 
<p>O-300 P.S.I. Pressure gauge</p>	<p>Selector linkage setting gauge</p>	<p>Selector shaft oil seal replacer</p>
<p>18G502K</p> 	<p>LST111</p> 	<p>ST115</p> 
<p>Hose and adaptor</p>	<p>Oil pump rotation sleeve and end float gauge</p>	<p>'B' clutch assembly puller hooks</p>

<p>LST116</p> 	<p>LST1016-1</p> 	
<p>'B' clutch 'O' ring and snap ring replacer</p>	<p>Adaptor-clutch spring compressor</p>	
<p>LST117</p> 		
<p>Gear train remover/replacer</p>		
<p>LST118</p> 		
<p>Transmission holding fixture</p>		
<p>LST502-1</p> 		
<p>Adaptor pressure take off</p>		

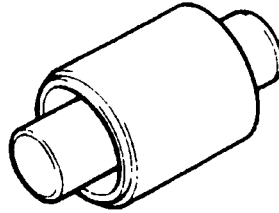
TRANSFER GEARBOX

18G47BB



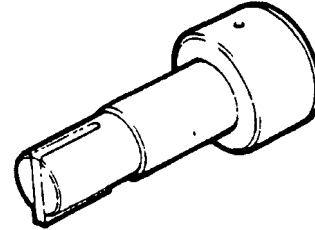
Adaptor centre differential remover

1861424



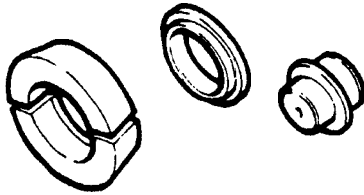
Centre differential bearing replacer

LST105



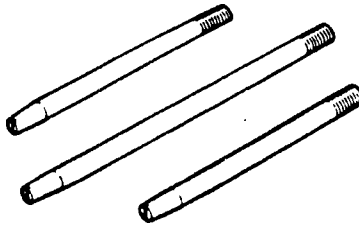
Input gear turning mandrel

18G47-7



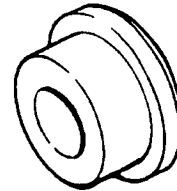
Input gear cluster bearing cones replacer

18G14 25



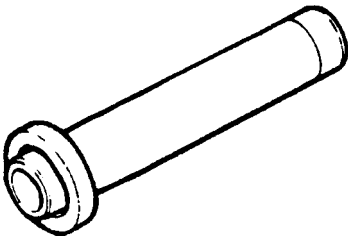
Guide studs

LST550-4



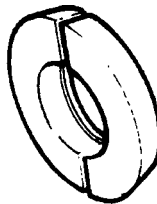
Adaptor-intermediate gear bearing races replacer

1861422



Mainshaft rear oil seal replacer(LT230/Borg Warner)

LST47-1



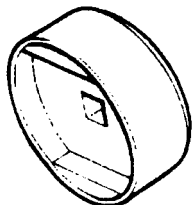
Adaptor-centre differential bearing remover

LST550-6



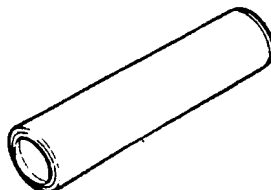
Input shaft oil seal replacer (Borg Warner)

1861423



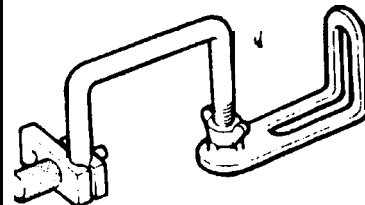
Adaptor socket centre differential locknut remover/replacer

LST104



Intermediate gear dummy shaft

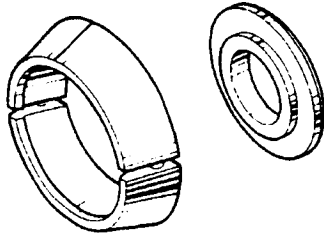
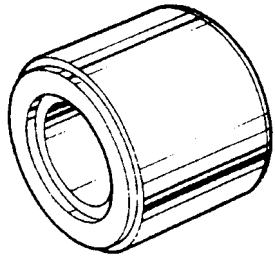
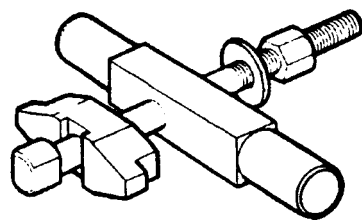
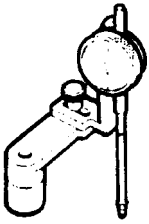
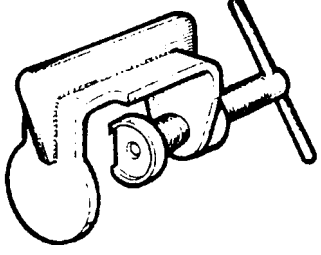
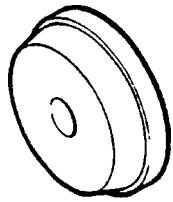
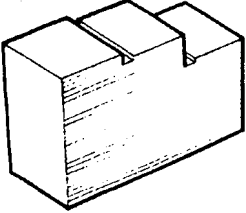
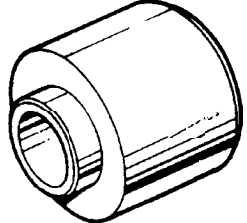
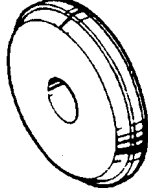
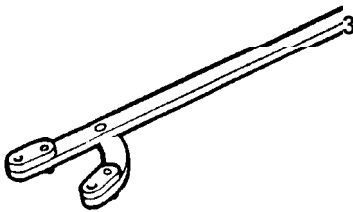
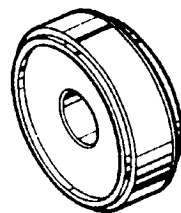
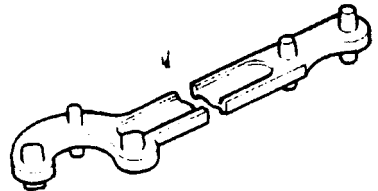
R0530106

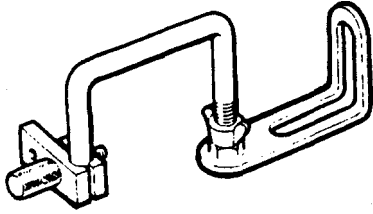
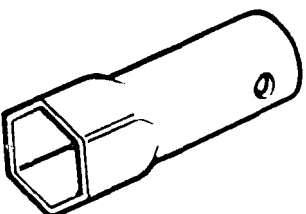
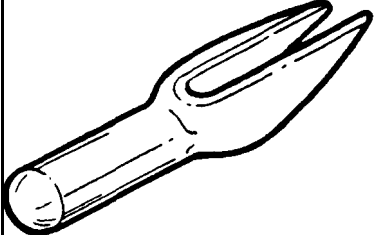
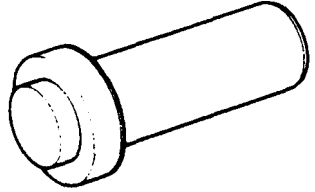
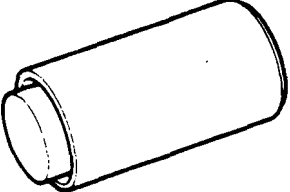
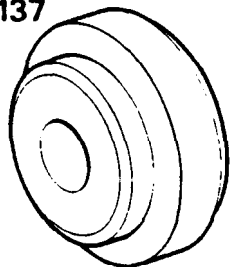
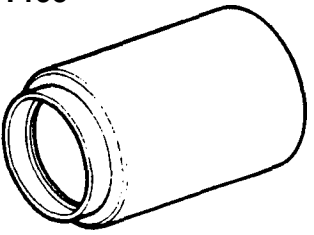
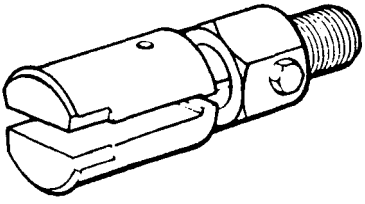


Bracket for dial gauge indicator

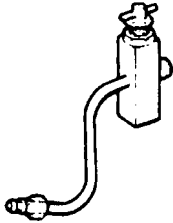
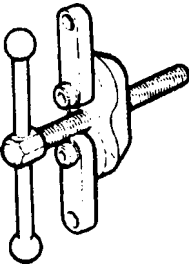
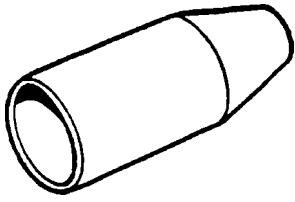
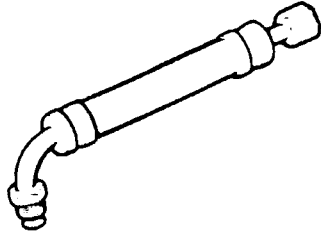
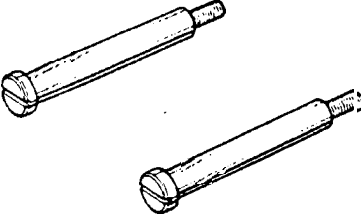
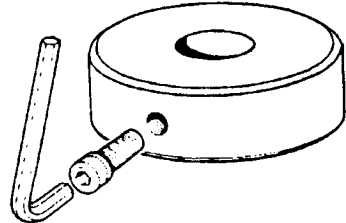
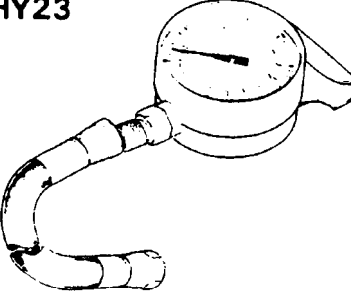
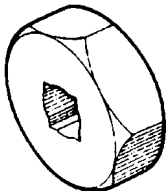
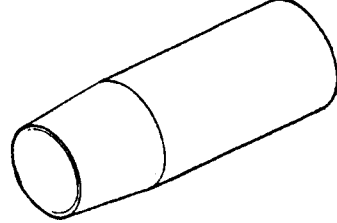
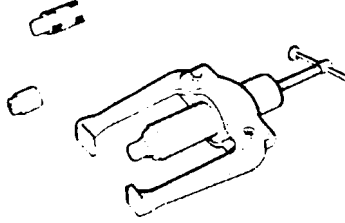
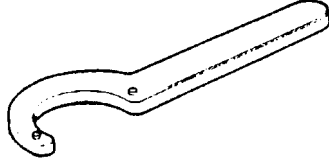
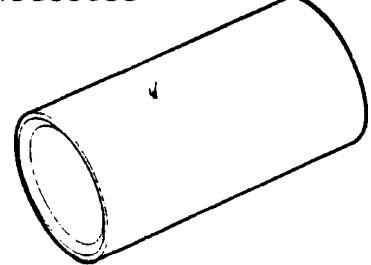
RR1871

FRONT AND REAR AXLE AND FINAL DRIVE

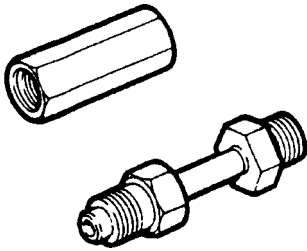
<p>18G47-6</p> 	<p>1861382</p> 	<p>FI0262757A</p> 
<p>Remover/replacer pinion head bearing</p>	<p>Drift-pinion oil seal replacer</p>	<p>Extractor-pinion races</p>
<p>18G191</p> 	<p>18G 672</p> 	<p>RO262757-1</p> 
<p>Bevel pinion setting gauge</p>	<p>Disc brake piston compressor</p>	<p>Replacer adaptor pinion head bearing races</p>
<p>18G191-4</p> 	<p>LST106</p> 	<p>RO262757-2</p> 
<p>Universal setting block</p>	<p>Pinion oil seal replacer</p>	<p>Adaptor-pinion tail bearing race-replacer</p>
<p>18G 1205</p> 	<p>LST550-5</p> 	<p>R0530105</p> 
<p>Adjustable flange holding wrench</p>	<p>Hub inner and outer oil seal installer/adaptor</p>	<p>Wrench-differential overhaul</p>

<p>R0630106</p> 	<p>R0606435A</p> 	<p>R01006</p> 
<p>Bracket for dial gauge indicator</p>	<p>Wrench for hub adjustment</p>	<p>Self levelling unit-ball joint remover</p>
<p>LST132</p> 	<p>LST133</p> 	<p>LST137</p> 
<p>Bearing installer</p>	<p>Seal installer</p>	<p>Seal installer</p>
<p>LST138</p> 	<p>18G 284AAH</p> 	
<p>Seal installer</p>	<p>Bearing/Seal extractor</p>	

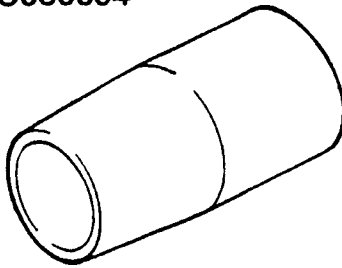
POWER STEERING • STEERING

<p>JD10-2</p> 	<p>18G1014</p> 	<p>R01015</p> 
<p>Power steering test set adaptor</p>	<p>steering wheel puller-nain tool</p>	<p>Oil seal protector input shaft</p>
<p>JD10-3A</p> 	<p>18G1014 -2</p> 	<p>R01016</p> 
<p>Adaptor hose-hydraulic pressure test</p>	<p>Adaptor pins-steering wheel puller</p>	<p>Torque setting tool</p>
<p>HY23</p> 	<p>LST119</p> 	<p>F10606602</p> 
<p>Power steering test set</p>	<p>Steering box adjuster screw wrench</p>	<p>Ring expander for steering box valve and worm seals</p>
<p>MS252A</p> 	<p>LST120</p> 	<p>R0606603</p> 
<p>Hydraulic steering arm remover</p>	<p>'C' wrench for adjustable screw locknut</p>	<p>Ring compressor for steering box valve and worm seals</p>

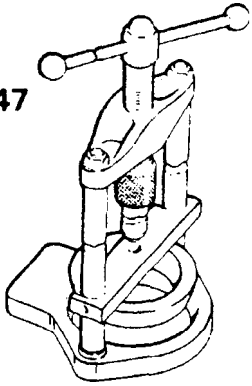
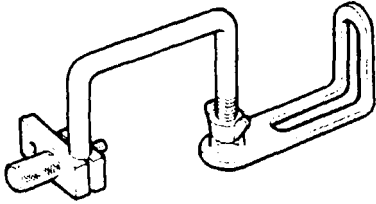
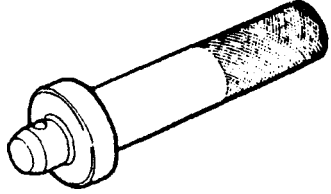
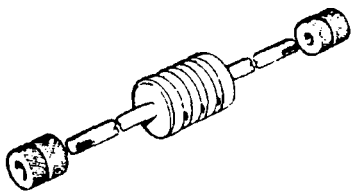
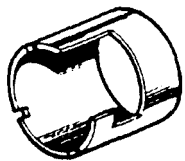
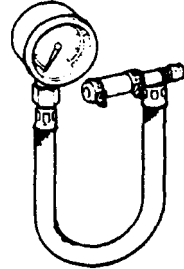
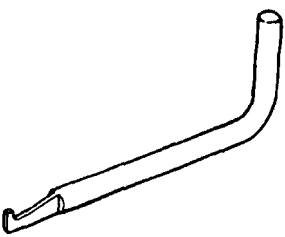
LST10-11



RO606604



<p>Adaptor-hydraulic pressure test steering</p>	<p>Sector shaft spline, seal protector</p>	
		<p>3</p>

GENERAL AND BASIC TOOLS		
<p>MS 47</p> 	<p>R0530106</p> 	<p>18G134</p> 
<p>Multi purpose hand press</p>	<p>Bracket for dial gauge indicator</p>	<p>Bearing and oil seal replacer-main tool</p>
<p>MS 284</p> 	<p>R0600964</p> 	<p>18G1500</p> 
<p>Impulse extractor UNF main tool</p>	<p>Wrench for fuel tank sender unit</p>	<p>Fuel Pressure Gauge</p>
<p>1861271</p> 		
<p>Oil seal remover</p>		

10

11

12

13

14

15

16

17

18